

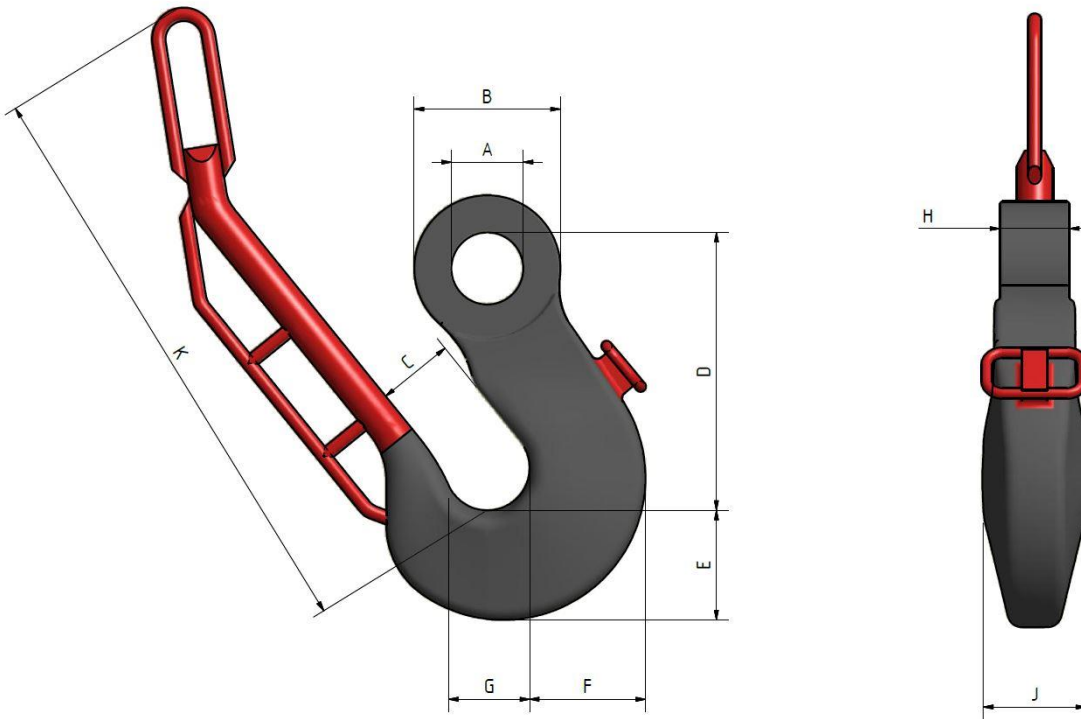
# Hooks



## KS Hook

Type approved by DNV-GL, ABS, Bureau Veritas

Offshore accessory to be used for Temporary, Mobile and Long Term Mooring



Hook No.	A	B	C	D	E	F	G	H	J	K	PL kN	MBL kN
40	135	334	162	646	225	250	200	130	200	1415	7095	9001
50	170	345	180	655	256	272	200	163	245	1410	10700	13573



Type approved by:

DNV-GL, ABS (PDA), Bureau Veritas

Application:

Temporary, Mobile and Long Term Mooring

Manufactured & Tested: in Germany by Feubo

Material:

Forged Steel – R4

Features:

Shall be fitted between two lengths of chain in a temporary or mobile mooring system, ROV operatable